

# LOW PROFILE SINGLE POINT LOAD CELL

## 1kg ... 30kg Typ N/C3

global weighing technologies



### MP 40

- Aluminium alloy construction
- Compatible with other sources
- Low profile type
- Single point 300x300 platform
- Approved to OIML R60

#### APPLICATIONS

- Bench scales
- Counting scales
- Check weighing systems

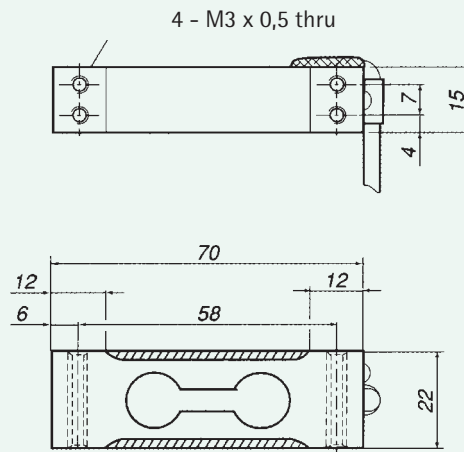
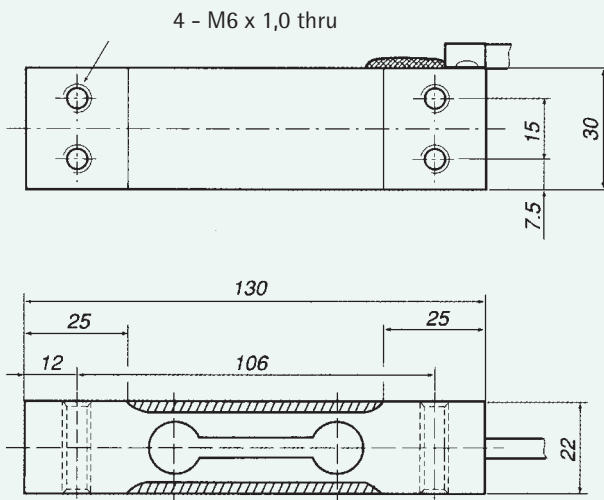
#### Technical Data

		N		C3
Accuracy class		0.03 %		0.02 %
Minimum dead load	$E_{min}$		0 % $E_{max}$	
Rated capacity	$E_{max}$		s.table	
Safe overload	$E_U$		150 % $E_{max}$	
Minimum LC verification interval Y				6000
Rated output (1kg, 2kg, 3kg)	$C_n$	1 mV/V		
Rated output (6kg ... 30kg)	$C_n$		2 mV/V	
Tolerance on rated output	$d_c$		$\pm 10 \% C_n$	
Tolerance on zero signal	$s_{min}$		$\pm 5 \% C_n$	
Repeatability	$E_R$		$< 0.01 \% C_n$	
Creep, during 30 min.	$d_{cr}$	$< 0.03 \% C_n$		$< 0.017 \% C_n$
Temperature effect on zero	$TK_{smin}$	$< 0.03 \% C_n / 10K$		$< 0.023 \% C_n / 10K$
Temperature effect on output	$TK_c$	$< 0.014 \% C_n / 10K$		$< 0.011 \% C_n / 10K$
Input impedance	$R_{LC}$		$400 \Omega \pm 20 \Omega$	
Output impedance	$R_o$		$350 \Omega \pm 3.5 \Omega$	
Insulation impedance	$R_{IS}$		$> 2000 \times 10^6 \Omega$	
Recommended supply voltage	$B_u$		10 V	
Max. supply voltage	$U_{max}$		15 V	
Nominal ambient temp. range	$B_T$		-10...+40°C	
Usable ambient temp. range	$B_{TU}$		-20...+65°C	
Cable	-		0.4 m, 4 wires with screen	
Protection class	-		IP 65	



6kg, 10kg, 15kg, 20kg, 30kg

1kg, 2kg, 3kg (N only)

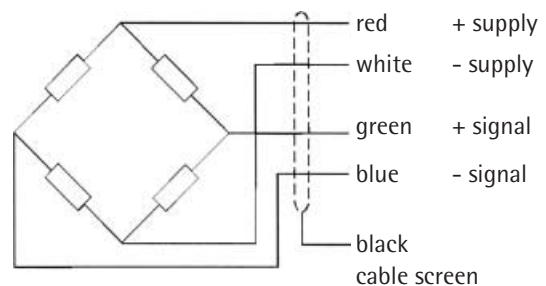


Dimensions all in mm

### Type and Order Code

Max. capacity  
1 mV/V 2mV/V

	MP 40/10 N	1 kg
	MP 40/20 N	2 kg
	MP 40/30 N	3 kg
MP 40/60 C3	MP 40/60 N	6 kg
MP 40/11 C3	MP 40/11 N	10 kg
MP 40/16 C3	MP 40/16 N	15 kg
MP 40/21 C3	MP 40/21 N	20 kg
MP 40/31 C3	MP 40/31 N	30 kg



The technical data given here serve only as a product description and must not be interpreted as guaranteed characteristics in the legal sense.

Autoryzowany przedstawiciel GWT GLOBAL Weighing Technology

P.H.U. WEGA Andrzej Zubka

Adres do korespondencji 80-299 Gdansk Osowa ul. Kasjopei 30A

Dział handlowy Tel. (058) 554-52-29 ; Fax. (058) 522-90-05

Dział projektowo - techniczny Tel. (058) 308-71-18 ; Fax. (058) 305-19-26

e-mail: [wega@gd.onet.pl](mailto:wega@gd.onet.pl)

<http://www.phu-wega.pl>

GWT Global Weighing Technologies GmbH

Tel. (+49) 40 679 60-303

Meiendorfer Straße 205

Fax (+49) 40 679 60-383

D-22145 Hamburg, Germany

[www.global-weighing.com](http://www.global-weighing.com)